

DRAINAGEMASTER™ INSTALLATION INSTRUCTIONS



Ensure that personnel carrying out this installation have the relevant qualifications/certificates. Ensure that all relevant personnel read the points listed within this leaflet and that a copy is given to staff involved with the installation and maintenance of this product. Please refer to 'The Manual Handling Operations Regulations 1992'. Glasdon recommends that a full Health and Safety analysis is carried out prior to installation.

KIT CONTENTS

- 1- Drainagemaster x1
- 2- Ground Pegs x6

See page 3 for instructions on using the optional Extension Channel.

EQUIPMENT REQUIRED

- Spade
- Rubber Hammer
- Tape Measure
- Spirit Level
- Relevant Safety Equipment (gloves, reflective clothing, etc)
- Cold Bitumen (recommended for a water tight seal between the road edge and grip)

- 1 Choose the location where the Drainagemaster is to be installed and check for buried services. Ensure it is to be located where pooling water will be able to flow off the road and through the channel i.e. by a gully, at a lower part of the road.

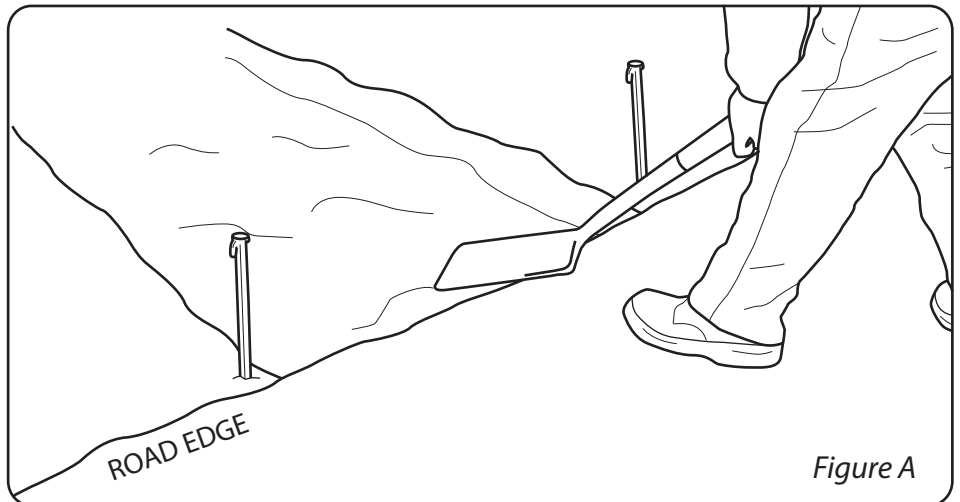


Figure A

- 2 Position the Drainagemaster where it is to be installed and mark the width and length using the pegs provided (see figure A).

- 3 Put the Drainagemaster to one side and dig a channel for the grip to lay in, approximately 70mm deep. Add a slight downward gradient for optimum performance.

- 4 Position the Drainagemaster into the prepared channel and ensure it lays flat (if it doesn't feel secure remove and replace soil as required). For areas of very hard soil we recommend using sand to ensure a level installation.

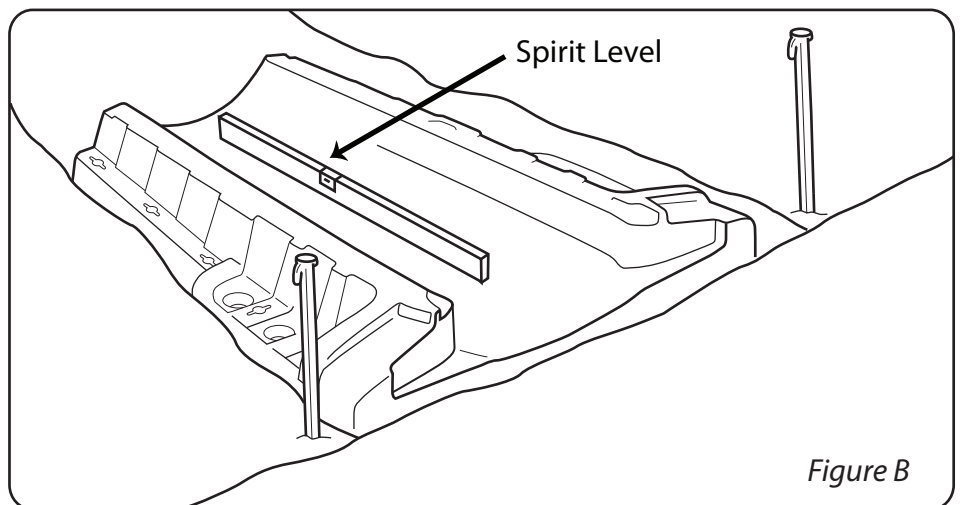


Figure B

- 5 Ensure front of the Drainagemaster is located up to the edge of the road ensuring no soil is left between. Also ensure the channel is slightly lower than the roads edge. Use a spirit level to check the Drainagemaster is on a downward gradient (see figure B).

Please note that diagrams are not to scale

- 6 Using a rubber hammer insert all the pegs provided into 6 of the dedicated holes in the Drainagemaster. If a rock is located beneath the surface simply put the peg into a different hole.

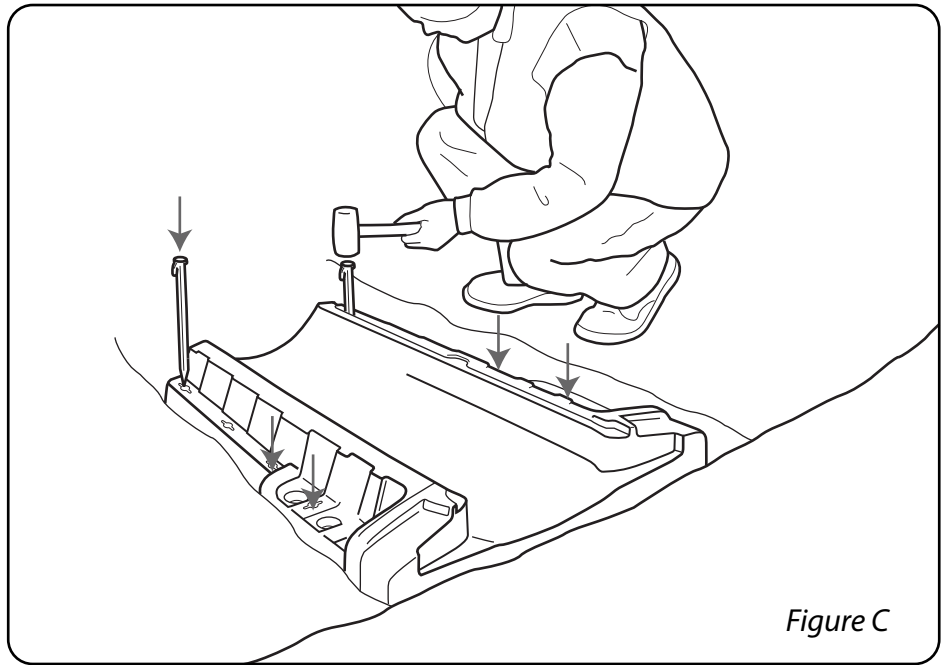


Figure C

- 7 Backfill each side of the Drainagemaster with soil to secure it further and to allow for grass growth and a neat finish.



Figure D

- 8 To ensure optimum performance of your Drainagemaster, Glasdon would strongly recommend the use of cold bitumen to create a seal between the road edge and the Drainagemaster. For best results mix the bitumen with sand, pour into the gap and allow to set.

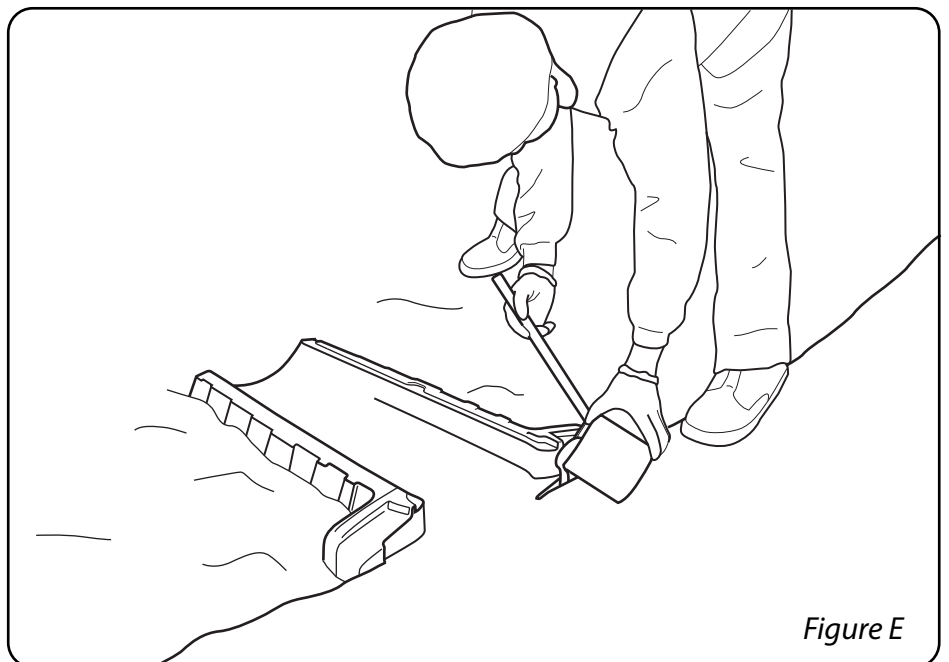
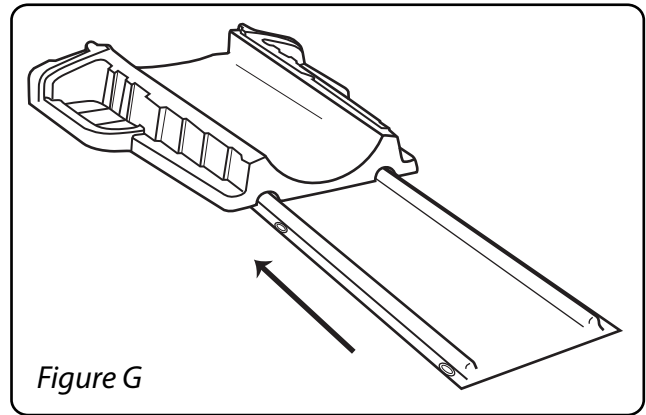
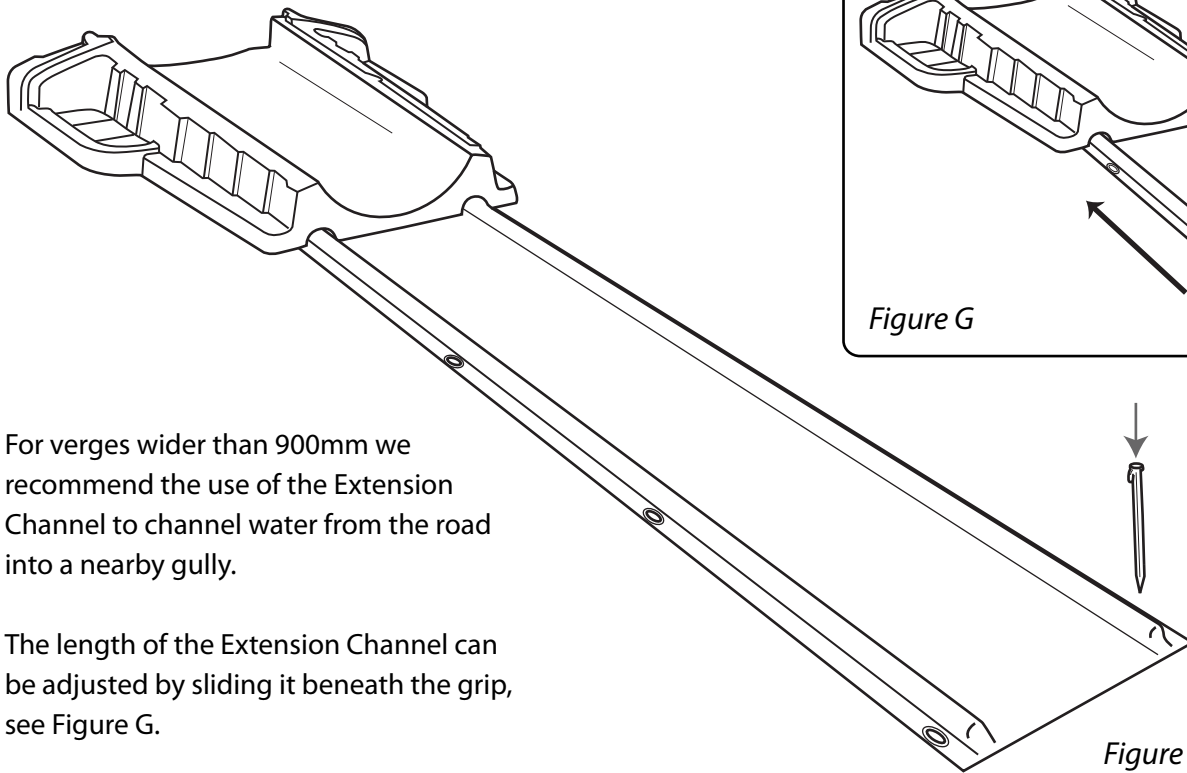


Figure E

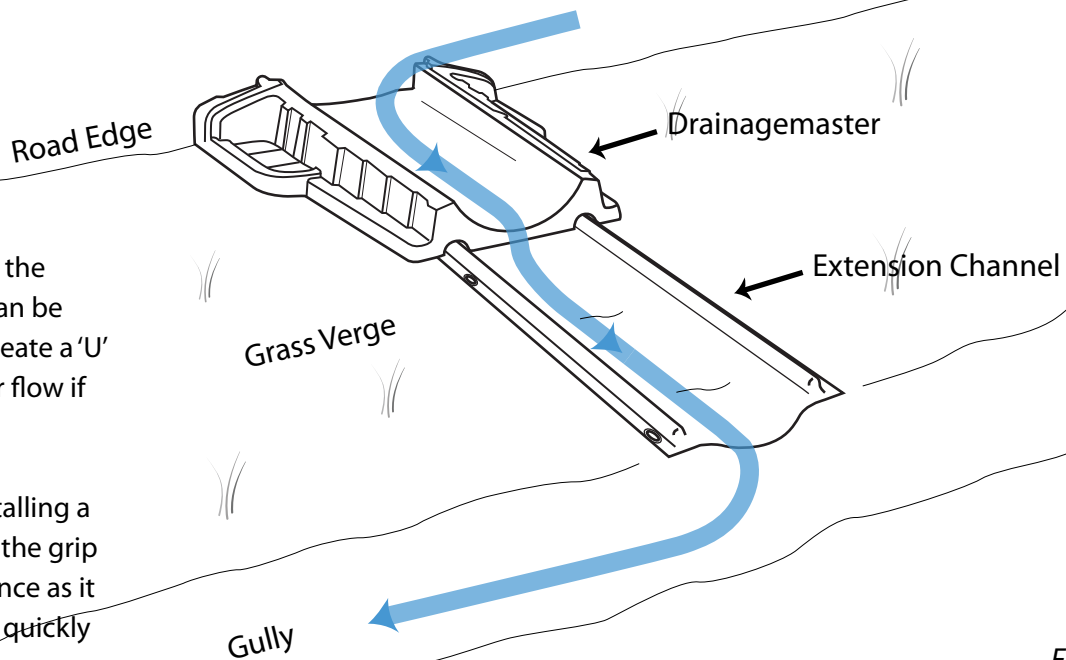
OPTIONAL EXTENSION CHANNEL



For verges wider than 900mm we recommend the use of the Extension Channel to channel water from the road into a nearby gully.

The length of the Extension Channel can be adjusted by sliding it beneath the grip, see Figure G.

Figure F



The ground beneath the Extension Channel can be shaped in order to create a 'U' section to help water flow if required.

[We recommend installing a Vergemaster next to the grip for ease of maintenance as it allows the grip to be quickly and easily located.]

Figure H

IMPORTANT NOTE: PLEASE ENSURE THAT ALL RELEVANT PERSONNEL READ THE POINTS LISTED WITHIN THIS LEAFLET AND THAT A COPY IS GIVEN TO STAFF INVOLVED WITH THE INSTALLATION AND MAINTENANCE OF THIS PRODUCT.

SAFETY NOTE: PLEASE REFER TO 'THE MANUAL HANDLING OPERATIONS REGULATIONS 1992' DURING HANDLING.

 **Glasdon** AND DRAINAGEMASTER™ ARE TRADEMARKS OR REGISTERED TRADEMARKS OF GLASDON GROUP OR ITS SUBSIDIARIES IN THE U.K AND OTHER COUNTRIES

- A planned maintenance schedule or regular inspection is recommended, replacing components as necessary.
- Replacement components are available direct from GLASDON.
- GLASDON cannot be held responsible for claims arising from incorrect installation, unauthorised modifications or misuse of the product.

Issue 1 March 2011 Stock no. C000/0377
© Copyright 2011

Glasdon UK Ltd reserve the right to alter specifications without prior notice.



Glasdon U.K Limited

Preston New Road
BLACKPOOL
Lancashire FY4 4UL
Tel: 01253 600410
Fax: 01253 792558
email: sales@glasdon-uk.co.uk
web: www.glasdon.com